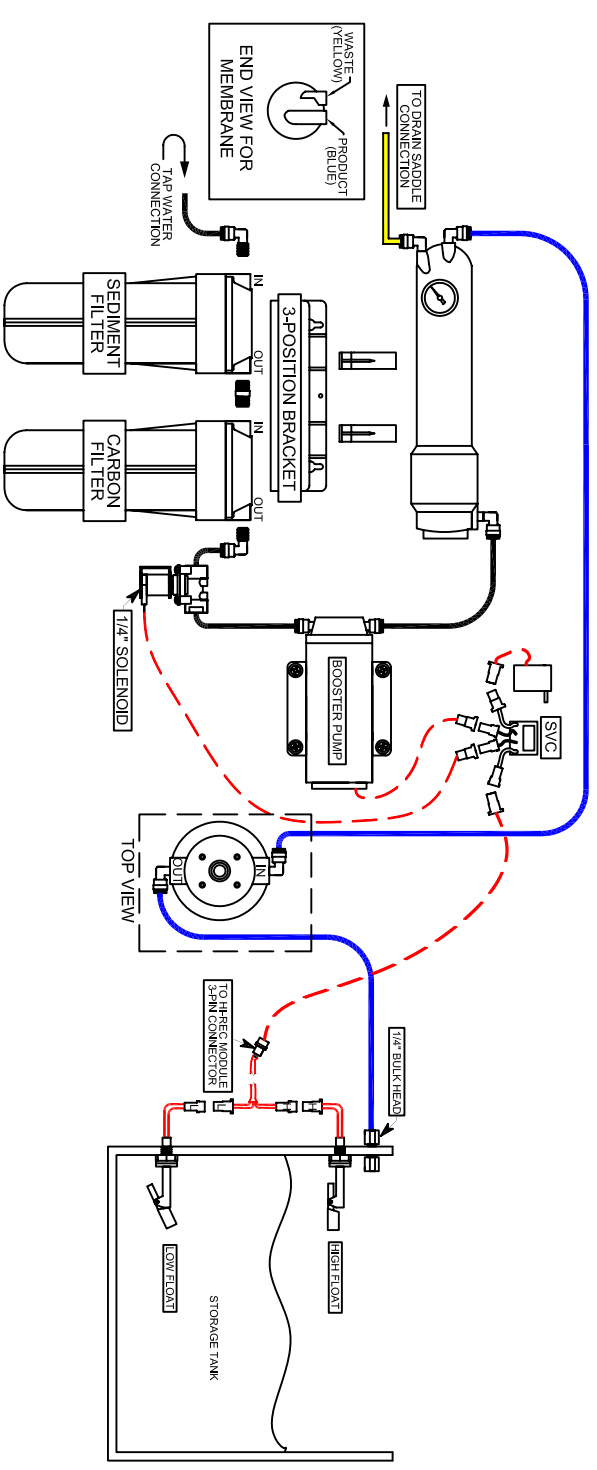
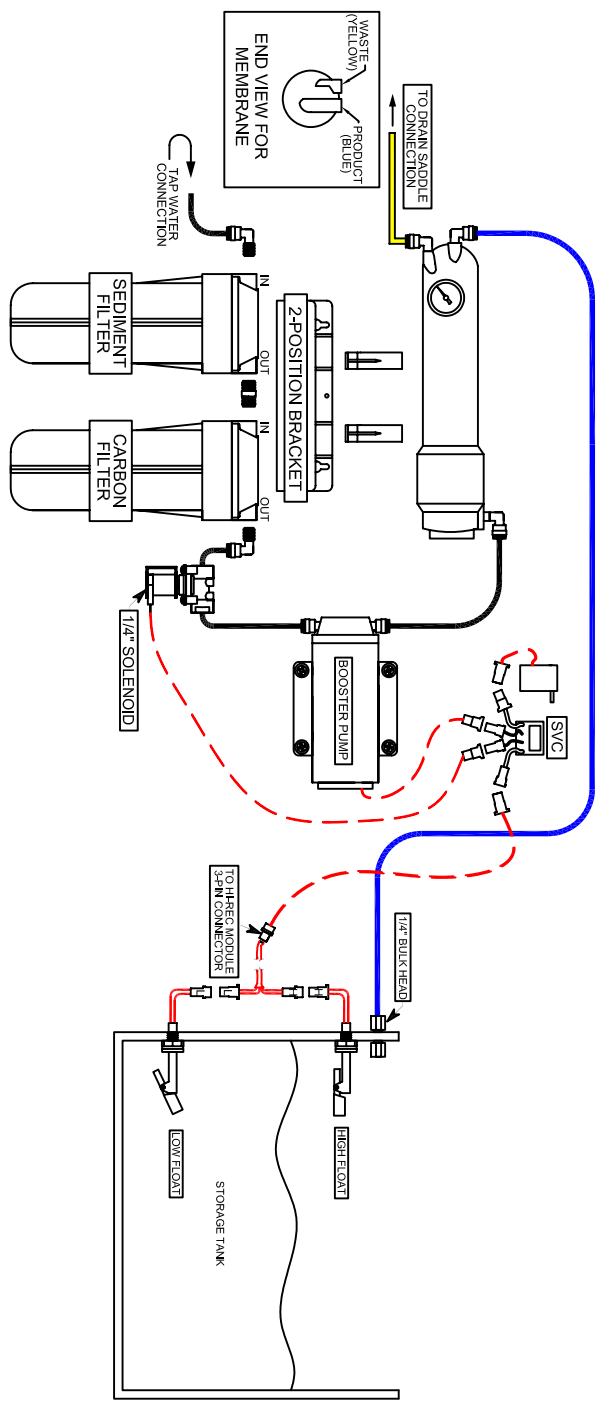


NOTES:

FOR RO SYSTEM

FOR RO/DI SYSTEM



**INFORMATION**

PROJECT: SVC WITH FLOAT SWITCHES

DATE: 10/5/2007

SCALE: N.T.S

The contents of this drawing are the sole property of Spectrapure . No part of this document may be reproduced, stored in a retrieval system, or transmitted in any form or by any means, electronic, mechanical, photocopying, recording or otherwise without the prior written permission of Spectrapure . 2007

**REVISIONS**

DATE:	REV #

SHEET #

1/1