

NOTES:
 MAKE SURE YOU SET THE LEVEL FOR THE AIR LINE SENSOR TUBE AS SHOWN IN THE MANUAL.

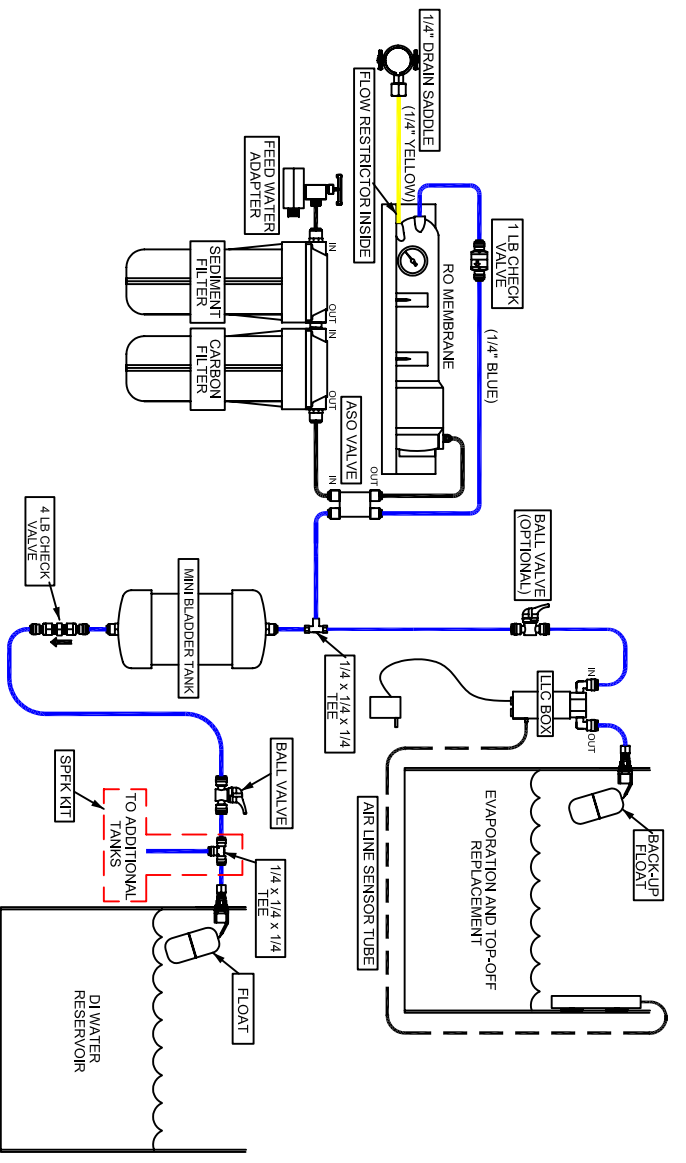
MAKE SURE THAT THE "IN" CONNECTION ON THE LLC BOX IS INSTALLED IN THE PROPER DIRECTION

INFORMATION
 PROJECT: INSTALLATION FOR LLC-M ON RO & RO/DI SYSTEMS
 DATE: 5-14-07
 SCALE: N.T.S

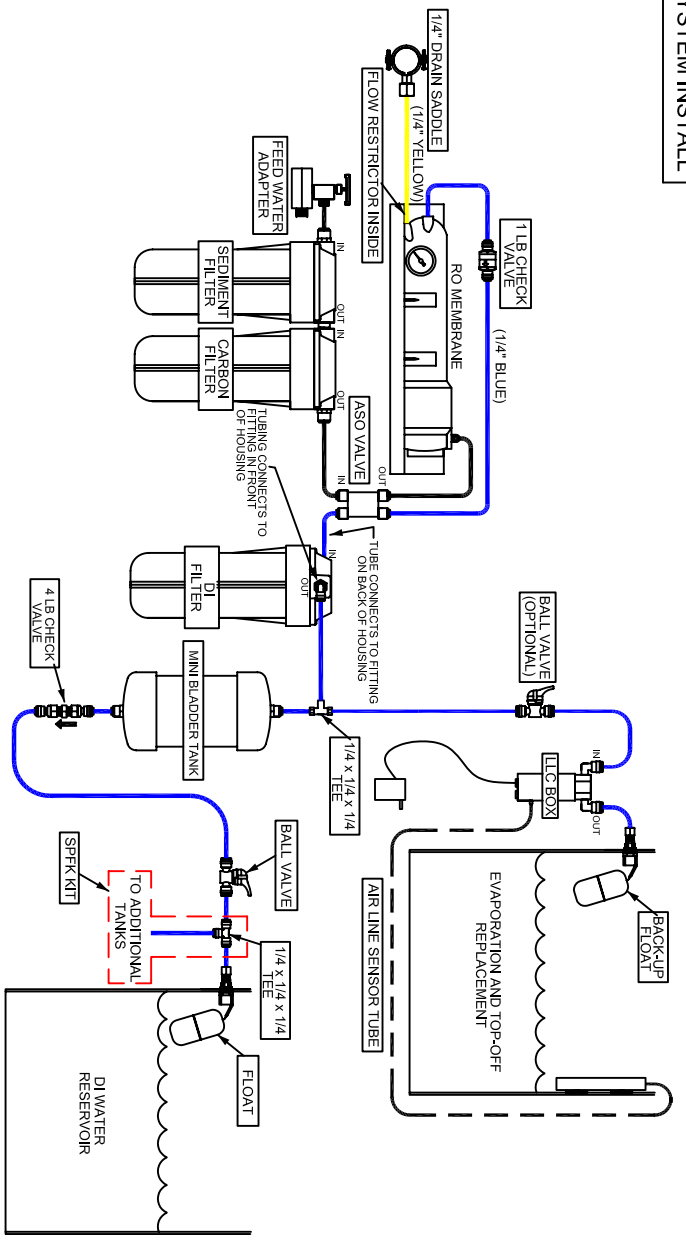
The contents of this drawing are the sole property of Spectrapure. No part of this document may be reproduced, stored in a retrieval system, or transmitted in any form or by any means, electronic, mechanical, photocopying, recording or otherwise without the prior written permission of Spectrapure. 2007

| REVISIONS | |
|-----------|-------|
| DATE: | REV # |
| | |
| | |
| | |
| | |

SHEET #
1/1



RO SYSTEM INSTALL



RO/DI SYSTEM INSTALL